

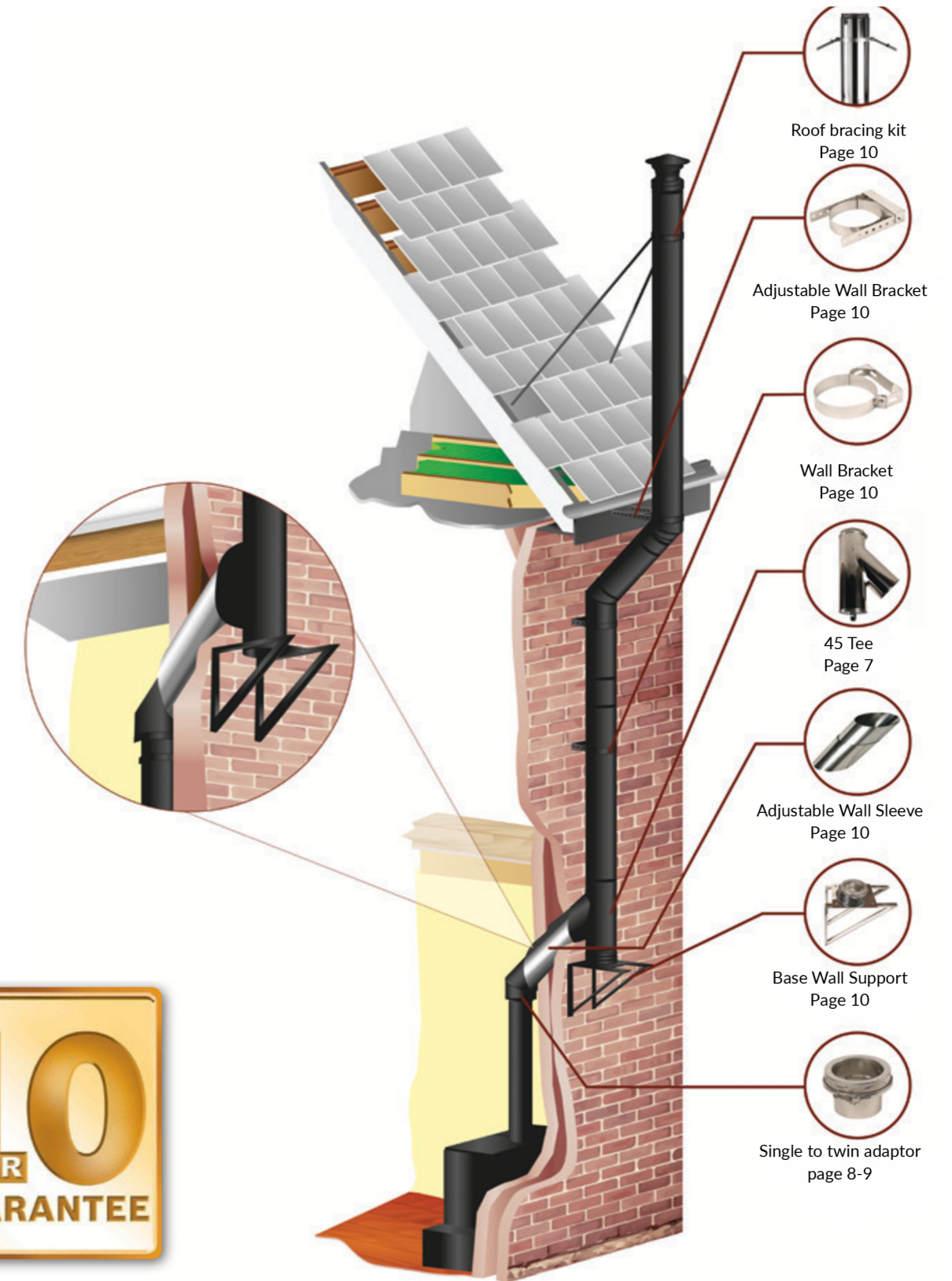
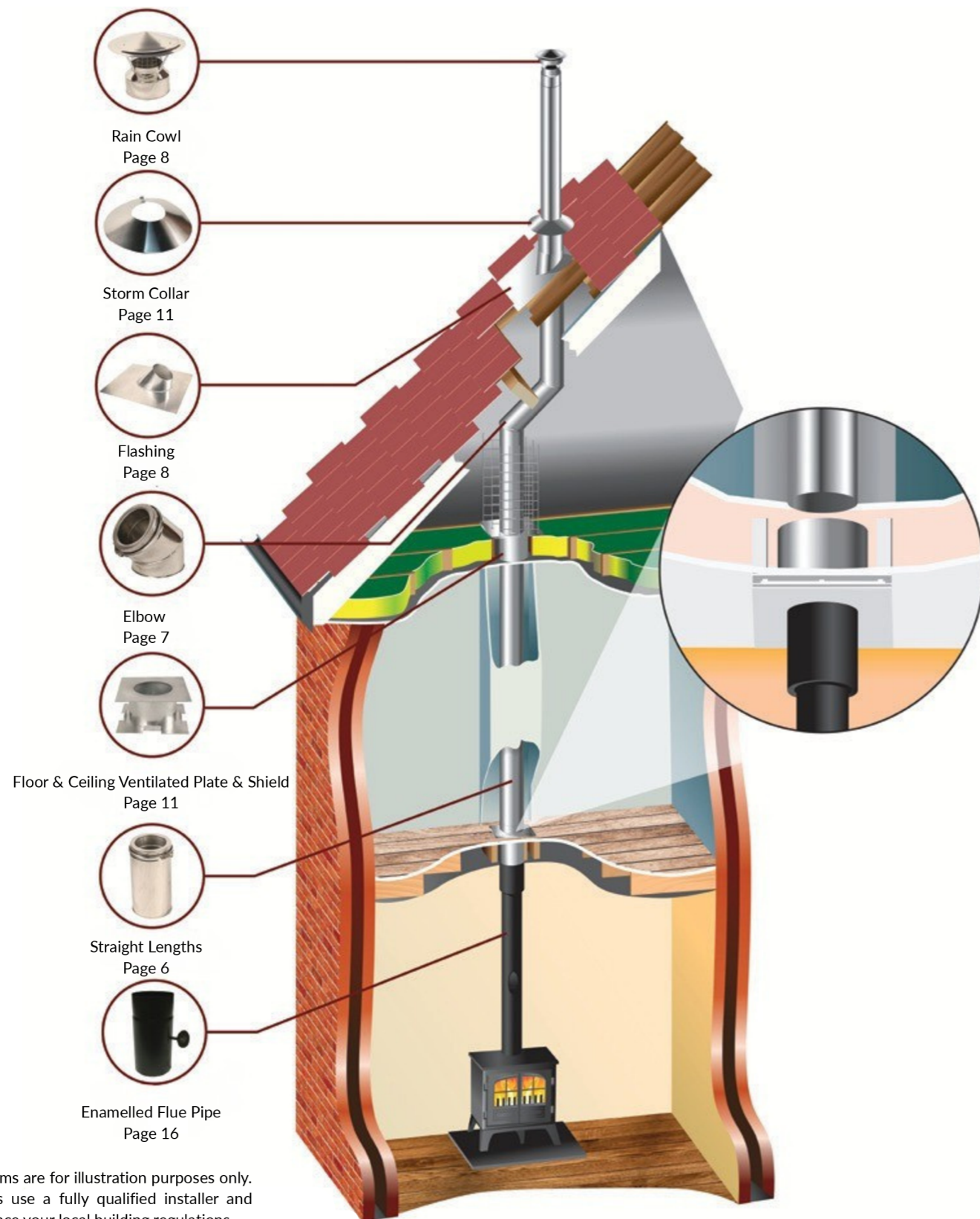


# V TECH FLUE SYSTEMS

Advanced Solutions for Heating and Ventilation

# INTERNAL INSTALLATION

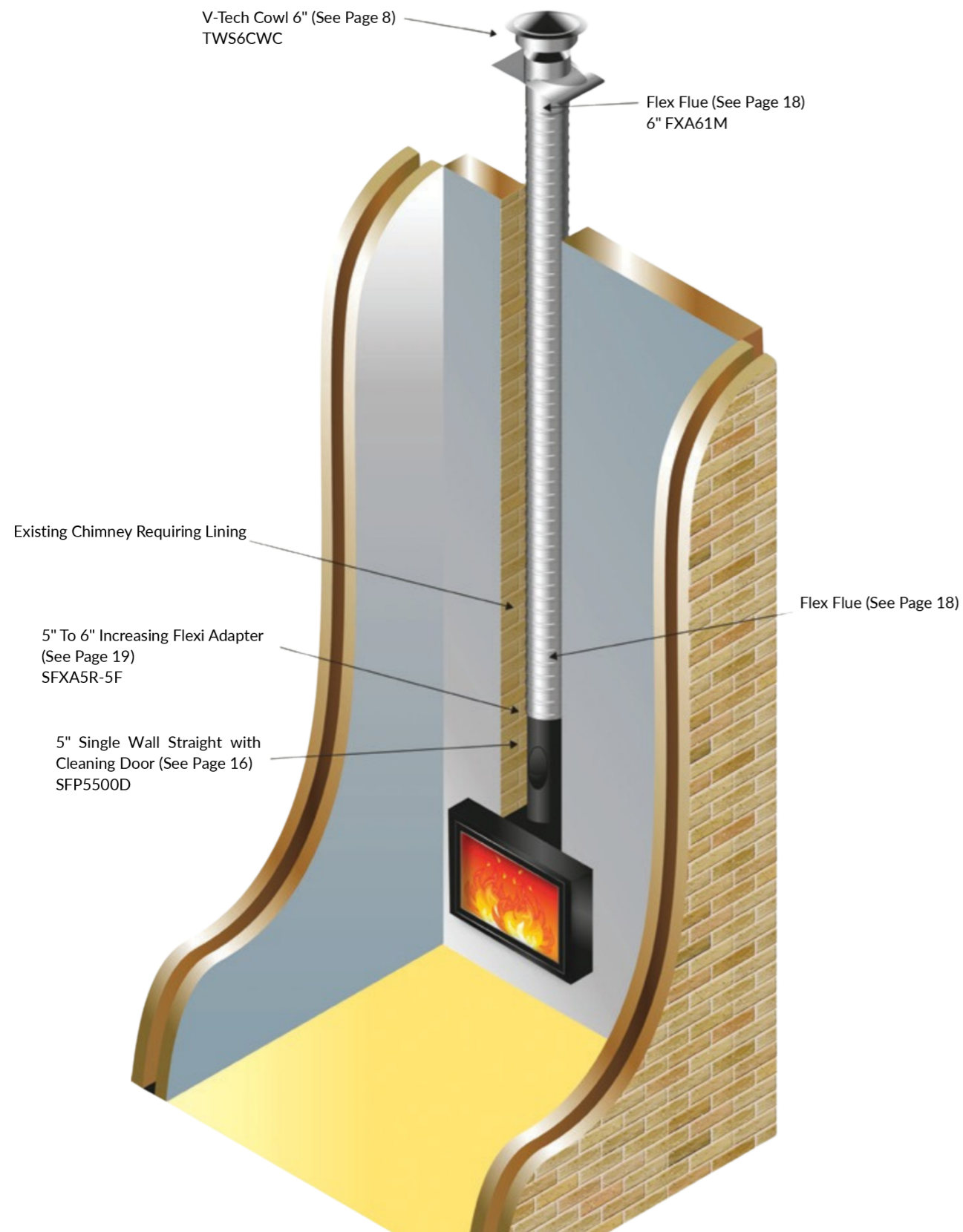
# THROUGH WALL INSTALLATION



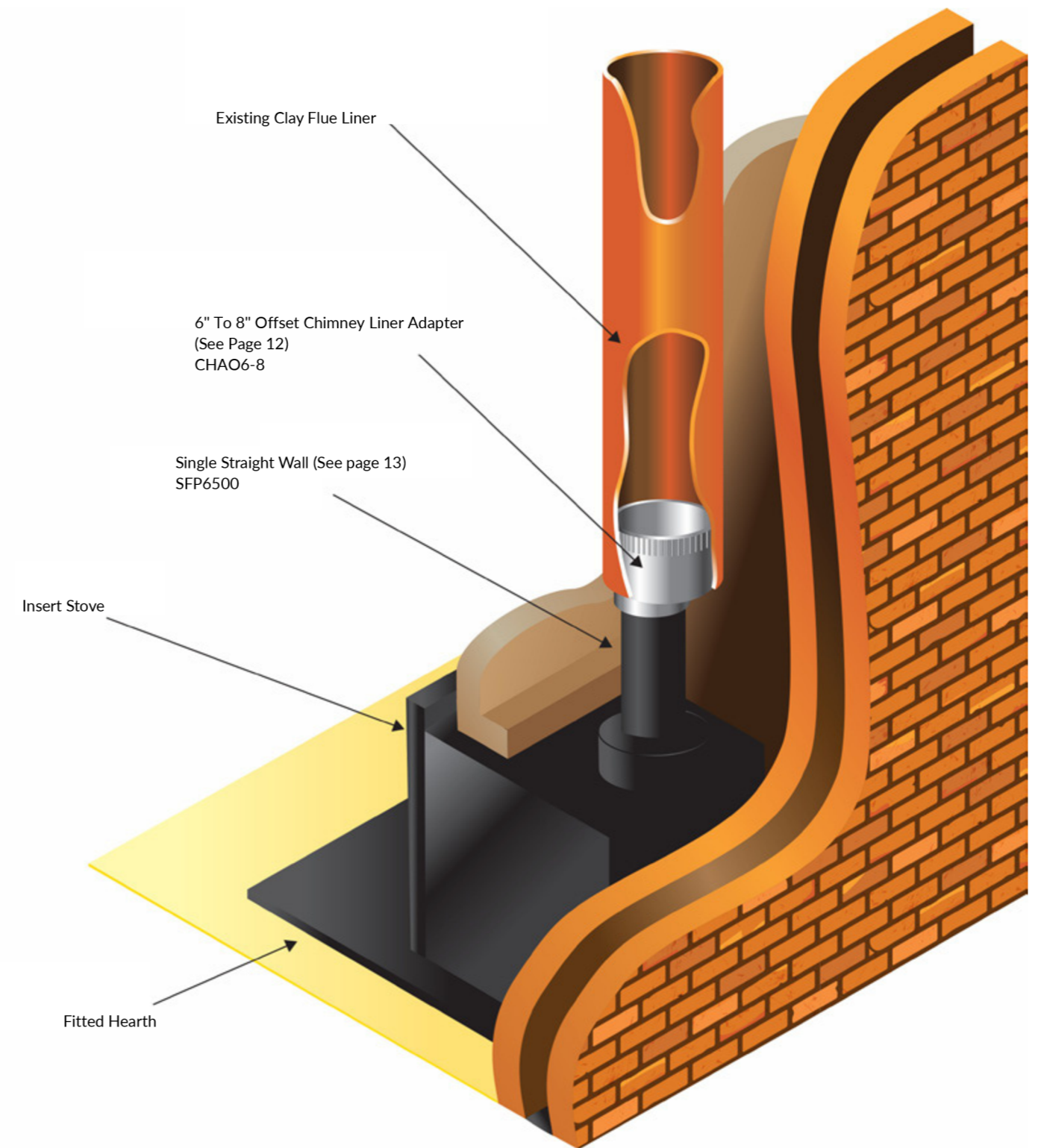
**Welcome**  
 V-TEC is constantly building on a reputation for superior products with high quality material, designer led aesthetics and technical innovation. V-TEC offers a comprehensive range of twin wall flue pipe components alongside a range of vitreous enamel single wall flue pipe, ensuring there is everything required to create a complete flue system. The V-TEC portfolio of flue systems and associated accessories are designed, tested and manufactured to the highest possible quality and safety standards.

**10 year warranty**  
 V-TEC offers a 10 year warranty for complete peace of mind for its customers on its Twin Wall flue pipe. This covers any defect due to faulty manufacture provided that the system has been correctly specified, installed, used and maintained in accordance with local building regulations. To maintain the warranty on your chimney system, you must have your chimney system swept annually by an approved chimney sweep and a signed record of this needs to be maintained. In the case of solid fuel installations, your chimney system must only be used with fuels approved and specified by either HETAS or the Solid Fuel Association. Any other fuels will invalidate this warranty. Any chimney fire will also invalidate the warranty and it is always advisable to replace the system following a chimney fire.

# EXISTING CHIMNEY INSTALLATION



# EXISTING CHIMNEY INSTALLATION



## Quality Assured

The V-TEC range has been tested and approved to the requirements of EN 1856 and is CE Approved and is tested to T600. For more information contact us. The products are manufactured using 0.5mm 316 grade stainless steel for the inner liners and 0.5mm 304 grade stainless steel for the outer liners. The cavity is insulated with 25mm ceramic mineral wool.

## Key Features

The V-TEC range features easy to install Twist-lock system. It is also weatherproof and fully sealed and is suitable for internal and external applications

CONFORMS TO EN FULL STANDARD EN1856-1 T600-N1-D-V2-L50050-G80



120mm Pipe



300mm Pipe



500mm Pipe



1000mm Pipe

## STRAIGHT PIPES

The VTEC straight pipes are available in 5 and 6 inch which easily combine to reach the required height for your installation. All lengths must be installed with the male socket pointing upwards. Due to the twist lock system and locking band each joint can be firmly secured.

| Code Powder Black | Code Stainless Steel | Description                          |
|-------------------|----------------------|--------------------------------------|
| TWPB51000         | TWS51000             | V-TECH 5" Twin Wall Flue 1000mm Pipe |
| TWPB5500          | TWS5500              | V-TECH 5" Twin Wall Flue 500mm Pipe  |
| TWPB5300          | TWS5300              | V-TECH 5" Twin Wall Flue 300mm Pipe  |
| TWPB5120          | TWS5120              | V-TECH 5" Twin Wall Flue 120mm Pipe  |
| TWPB61000         | TWS61000             | V-TECH 6" Twin Wall Flue 1000mm Pipe |
| TWPB6500          | TWS6500              | V-TECH 6" Twin Wall Flue 500mm Pipe  |
| TWPB6300          | TWS6300              | V-TECH 6" Twin Wall Flue 300mm Pipe  |
| TWPB6120          | TWS6120              | V-TECH 6" Twin Wall Flue 120mm Pipe  |

## ADJUSTABLE LENGTHS

The VTEC range includes adjustable lengths in both 5 inch and 6 inch to ease installation and allow for any variation in length and includes a locking band.

| Code Powder Black | Code Stainless Steel | Description  |
|-------------------|----------------------|--|
| TWPB5ADJ          | TWS5ADJ              | V-TECH 5" Twin Wall Flue Adjustable Pipe 330mm - 500mm comes with locking band |
| TWPB6ADJ          | TWS6ADJ              | V-TECH 6" Twin Wall Flue Adjustable Pipe 330mm - 500mm comes with locking band |



30 Degree Bend



45 Degree Bend



90 Degree Tee



45 Degree Tee

## 15 BEND

| Code Powder Black | Code Stainless Steel | Description                             |
|-------------------|----------------------|---|
| TWBP615B          | TWS615B              | V-TECH 6" Twin Wall Flue 15 Degree Bend |

## 30 AND 45 BENDS

| Code Powder Black | Code Stainless Steel | Description                             |
|-------------------|----------------------|---|
| TWPB530B          | TWS530B              | V-TECH 5" Twin Wall Flue 30 Degree Bend |
| TWPB630B          | TWS630B              | V-TECH 6" Twin Wall Flue 30 Degree Bend |
| TWPB545B          | TWS545B              | V-TECH 5" Twin Wall Flue 45 Degree Bend |
| TWPB645B          | TWS645B              | V-TECH 6" Twin Wall Flue 45 Degree Bend |
| KITTWPB545B       | KITTWS545B           | 5 inch 150mm Offset Twinwall Kit        |
| KITTWPB645B       | KITTWS645B           | 6 inch 160mm Offset Twinwall Kit        |

## 90 TEE

Including Tee Cap & Locking Band. This piece allows you to make horizontal connections and where fitted with a Tee Cap, provides an access point for inspection and cleaning. The 90 Tee is available in both 5 inch and 6 inch.

| Code Powder Black | Code Stainless Steel | Description                            |
|-------------------|----------------------|--|
| TWPB590T          | TWS590T              | V-TECH 5" Twin Wall Flue 90 Degree Tee |
| TWPB690T          | TWS690T              | V-TECH 6" Twin Wall Flue 90 Degree Tee |

## 45 TEE

Included Tee Cap & Locking Band. A tee cap is included which allows for an access point for inspection and cleaning and is available in both 5 inch and 6 inch.

| Code Powder Black | Code Stainless Steel | Description                            |
|-------------------|----------------------|--|
| TWPB545T          | TWS545T              | V-TECH 5" Twin Wall Flue 45 Degree Tee |
| TWPB645T          | TWS645T              | V-TECH 6" Twin Wall Flue 45 Degree Tee |



90 Degree Tee



Flue Cowl A



Flue Cowl B



Flue Cowl C



Flue Roof Flashing 45 degree

## COWLS

Cowls are fitted to the end of the flue pipe and secured using the VTEC twist lock to ensure protection.

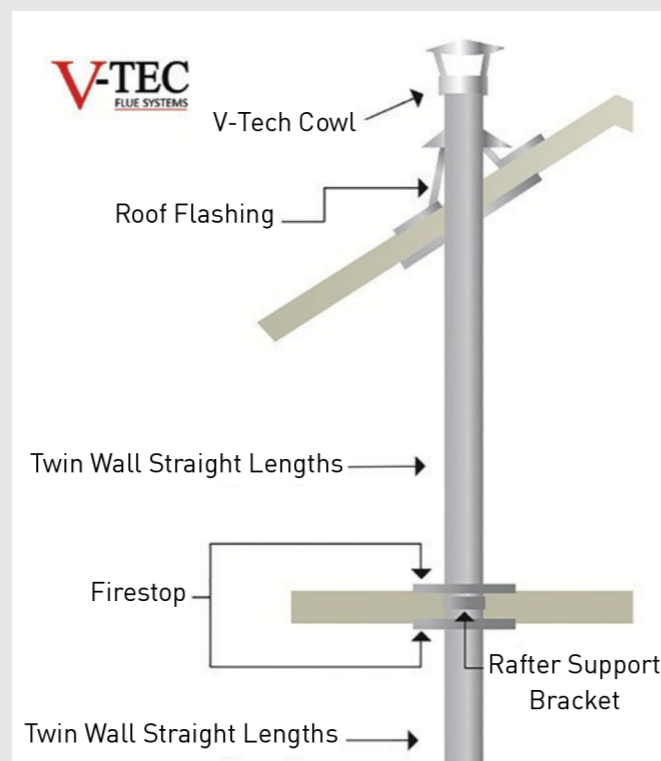
| Code Powder Black | Code Stainless Steel | Description                     |
|-------------------|----------------------|---------------------------------|
| TWPB5CWA          | TWS5CWA              | V-TECH 5" Twin Wall Flue Cowl A |
| TWPB5CWB          | TWS5CWB              | V-TECH 5" Twin Wall Flue Cowl B |
| TWPB5CWC          | TWS5CWC              | V-TECH 5" Twin Wall Flue Cowl C |
| TWPB5CWH          | TWS5CWH              | V-TECH 5" Twin Wall Flue Cowl H |
| TWPB6CWA          | TWS6CWA              | V-TECH 6" Twin Wall Flue Cowl A |
| TWPB6CWB          | TWS6CWB              | V-TECH 6" Twin Wall Flue Cowl B |
| TWPB6CWC          | TWS6CWC              | V-TECH 6" Twin Wall Flue Cowl C |
| TWPB6CWH          | TWS6CWH              | V-TECH 6" Twin Wall Flue Cowl H |

## ROOF FLASHING 45

| Code Powder Black | Code Stainless Steel | Description                                       |
|-------------------|----------------------|---|
| TWPB5RF45         | TWS5RF45             | V-TECH 5" Twin Wall Flue Roof Flashing 45 Degrees |
| TWPB6RF45         | TWS6RF45             | V-TECH 6" Twin Wall Flue Roof Flashing 45 Degrees |

## TWIN WALL TO FLEXIBLE LINER

| Code Stainless Steel | Description  |
|----------------------|--|
| TWS6FLTW             | V-TECH 6" Twin Wall To Flexi Flue Adapter. c/w Locking Band. |



5inch Twin Wall Flue to Flexi Adapter



5 inch single to 6 inch Twin Wall Increaser



Single to Twin Adapter

## FLEXIBLE LINER TO TWIN WALL ADAPTOR

This component allows a cut length of flexible liner to be hidden then secured with self-tapping screws. This provides you with a male socket and is secured using the twist lock system and includes a locking band.

| Code Powder Black | Code Stainless Steel | Description   |
|-------------------|----------------------|---|
| TWPB5TWFL         | TWS5TWFL             | V-TECH 5" Twin Wall Flue to 5" Flexi Flue Adapter. c/w Locking Band |
| TWPB6TWFL         | TWS6TWFL             | V-TECH 6" Twin Wall Flue to 6" Flexi Flue Adapter. c/w Locking Band |

## SINGLE TO TWIN ADAPTER

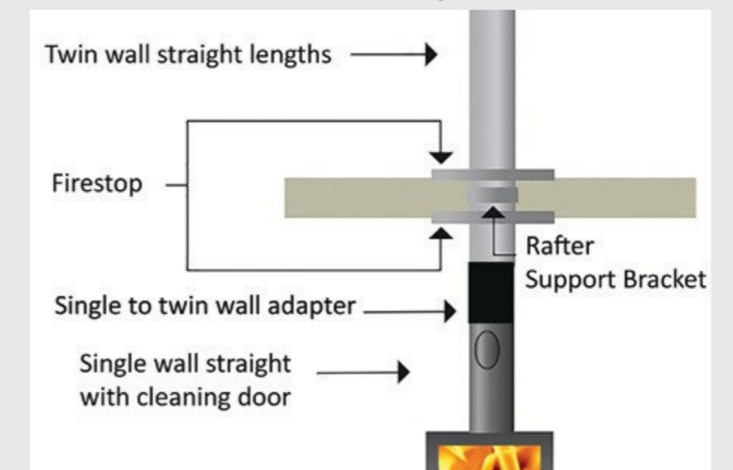
Use this adapter to join single wall, enamelled flue pipe to the VTEC system. Both must be of the same diameter. This piece is secured using the Twist lock system and also included a locking band.

| Code Powder Black | Code Stainless Steel | Description   |
|-------------------|----------------------|---|
| TWPB5AC           | TWS5AC               | V-TECH 6" Twin Wall Appliance connector c/w locking band              |
| TWPB6AC           | TWS6AC               | V-TECH 6" Twin Wall Appliance connector c/w locking band              |
| TWPB5TA           | TWS5TA               | V-TECH Taper Adapter from 5" Enamel to 5" Twin Wall. c/w Locking Band |
| TWPB6TA           | TWS6TA               | V-TECH Taper Adapter from 6" Enamel to 6" Twin Wall. c/w Locking Band |

## SINGLE TO TWIN INCREASER

This part is secured using the twist lock system and included a locking band.

| Code Powder Black | Code Stainless Steel | Description  |
|-------------------|----------------------|--|
| TWPB5IAC          | TWS5IAC              | V-TECH 5" Vitreous to 6" Twin Wall Flue Increasing Appliance Connector with Locking Band |





Locking Band



Wall Bracket



Adjustable Wall Bracket



Rafter Support Bracket



Roof Extended Brackets



Base Wall Support



Adjustable Wall Sleeve

## FLUE LOCKING BAND

The locking band has a simple spring connection and comes with a cir clip to join the mating parts for increased integrity.

| Code Powder Black | Code Stainless Steel | Description                           |
|-------------------|----------------------|---------------------------------------|
| TWPB5LB           | TWS5LB               | V-TECH 5" Twin Wall Flue Locking Band |
| TWPB6LB           | TWS6LB               | V-TECH 6" Twin Wall Flue Locking Band |
| TWPB5SLB          | TWS5SLB              | V-TECH 5" Structural Locking Band     |
| TWPB6SLB          | TWS6SLB              | V-TECH 6" Structural Locking Band     |

## WALL BRACKET

| Code Powder Black | Code Stainless Steel | Description                           |
|-------------------|----------------------|---------------------------------------|
| TWPB5WB           | TWS5WB               | V-TECH 5" Twin Wall Flue Wall Bracket |
| TWPB6WB           | TWS6WB               | V-TECH 6" Twin Wall Flue Wall Bracket |

## ADJUSTABLE WALL BRACKET

Allowing adjustment of from the wall, the brackets outer facing flange and captive nuts facilitate a straight forward and quick installation.

| Code Powder Black | Code Stainless Steel | Description  |
|-------------------|----------------------|--|
| TWPB5AWB          | TWS5AWB              | V-TECH 5" Twin Wall Flue Adjustable Wall Bracket                           |
| TWPB6AWB          | TWS6AWB              | V-TECH 6" Twin Wall Flue Adjustable Wall Bracket                           |
| TWPB5EAWB         | TWS5EAWB             | V-TECH 5" Twin Wall Extended Flue Adjustable Wall Bracket 200-310 mm steel |
| TWPB6EAWB         | TWS6EAWB             | V-TECH 6" Twin Wall Extended Flue Adjustable Wall Bracket 200-310 mm steel |

## RAFTER SUPPORT BRACKET

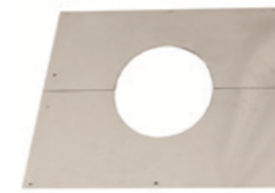
The VTEC rafter support bracket can be fixed to roof joints to provide added support and can be fitted with the VTEC Roof Extending Brackets.

| Code Powder Black | Code Stainless Steel | Description                                |
|-------------------|----------------------|--|
| TWPB5LB           | TWS6RSB              | V-TECH 6" Twin Wall Rafter Support Bracket |
| TWPB6LB           | TWS5RSB              | V-TECH 5" Twin Wall Rafter Support Bracket |

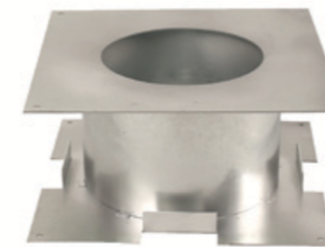
## ROOF EXTENDING BRACKETS (2 PIECES)

This piece is required to support the flue lengths above 2m 125mm and 150mm diameters or 1.5m on other diameters.

| Code Powder Black | Code Stainless Steel | Description                                     |
|-------------------|----------------------|---|
| TWPB5REB          | TWS5REB              | V-TECH 5" Twin Wall Flue Roof Extended Brackets |
| TWPB6REB          | TWS6REB              | V-TECH 6" Twin Wall Flue Roof Extended Brackets |



Decorative Plate



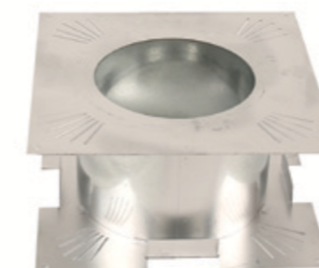
Radiation Shield



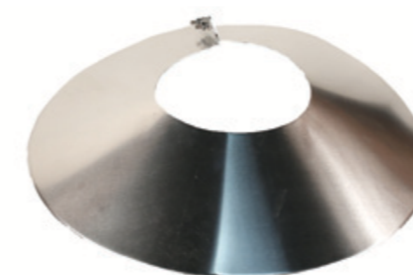
Ventilated Fire Stop



Ventilated Support Plate



Ventilated Radiation Shield



Storm Collar

## FLUE BASE WALL SUPPORT C/W TRIANGLE BRACKETS

| Code Powder Black | Code Stainless Steel | Description                                |
|-------------------|----------------------|--|
| TWPB5BWS          | TWS5BWS              | V-TECH 5" Twin Wall Flue Base Wall Support |
| TWPB6BWS          | TWS6BWS              | V-TECH 6" Twin Wall Flue Base Wall Support |

## FLOOR AND CEILING NON-VENTILATED PLATE & SHIELD

The decorative wall plate and ceiling plate are both designed to ensure there are no visible fixings when installation is complete.

| Code Powder Black | Code Stainless Steel | Description                                    |
|-------------------|----------------------|--|
| TWPB5DPP          | TWS5DPP              | V-TECH 5" Twin Wall Flue Decorative Wall Plate |
| TWPB5CRP          | TWS5CRP              | V-TECH 5" Twin Wall Flue Ceiling Plate         |
|                   | TWS5RS               | V-TECH 5" Twin Wall Flue Radiation Shield      |
| TWPB6DPP          | TWS6DPP              | V-TECH 6" Twin Wall Flue Decorative Wall Plate |
| TWPB6CRP          | TWS6CRP              | V-TECH 6" Twin Wall Flue Ceiling Plate         |
|                   | TWS6RS               | V-TECH 6" Twin Wall Flue Radiation Shield      |

## FLOOR AND CEILING VENTILATED PLATE & SHIELD

| Code Powder Black | Code Stainless Steel | Description  |
|-------------------|----------------------|--|
| TWPB5VSP          | TWS5VSP              | V-TECH 5" Twin Wall Flue Ventilated Support Plate    |
|                   | TWS5VFS              | V-TECH 5" Twin Wall Flue Ventilated Fire Stop        |
|                   | TWS5VRS              | V-TECH 5" Twin Wall Flue Ventilated Radiation Shield |
| TWPB6VSP          | TWS6VSP              | V-TECH 6" Twin Wall Flue Ventilated Support Plate    |
|                   | TWS6VFS              | V-TECH 6" Twin Wall Flue Ventilated Fire Stop        |
|                   | TWS6VRS              | V-TECH 6" Twin Wall Flue Ventilated Radiation Shield |

## STORM COLLAR

| Code Powder Black | Code Stainless Steel | Description                           |
|-------------------|----------------------|---------------------------------------|
| TWPB5SC           | TWS5SC               | V-TECH 5" Twin Wall Flue Storm Collar |
| TWPB6SC           | TWS6SC               | V-TECH 6" Twin Wall Flue Storm Collar |

## ADJUSTABLE WALL SLEEVE

The adjustable wall sleeve is 50mm larger than the internal diameter of the pipe and provides protection for the installation when passing through a non-combustible wall. The adjustable sleeve prevents the need to cut to length as it's easily adjustable and secured using self-tapping screws.

| Code Powder Black | Code Stainless Steel | Description                                     |
|-------------------|----------------------|---|
|                   | TWS5AWS              | V-TECH 5" Twin Wall Flue Adjustable Wall Sleeve |
|                   | TWS6AWS              | V-TECH 6" Twin Wall Flue Adjustable Wall Sleeve |

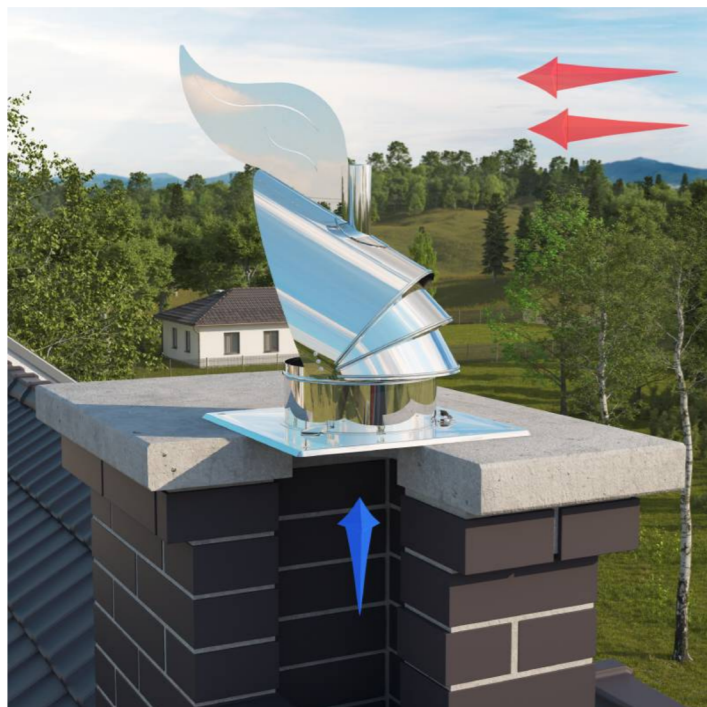
## Darco



Draught Generator



Rotowent Dragon Cowl



### Darco Draught Generator

The Darco draught generator is a chimney fan that can be mounted on the top of a chimney (flue or smoke) to increase and stabilize chimney draught. If you are currently having issues with the draught of your flue system, the generator can help to improve this, whether the issue is caused by the chimney height, wind speed, or other natural conditions.

| Code        | Description   |
|-------------|---|
| DADEGN150BL | Draught Generator 150mm with Insulation Powder Coated Black |
| DADEGN200BL | Draught Generator 200mm with Insulation Powder Coated Black |

### Darco Draught Generator Kit

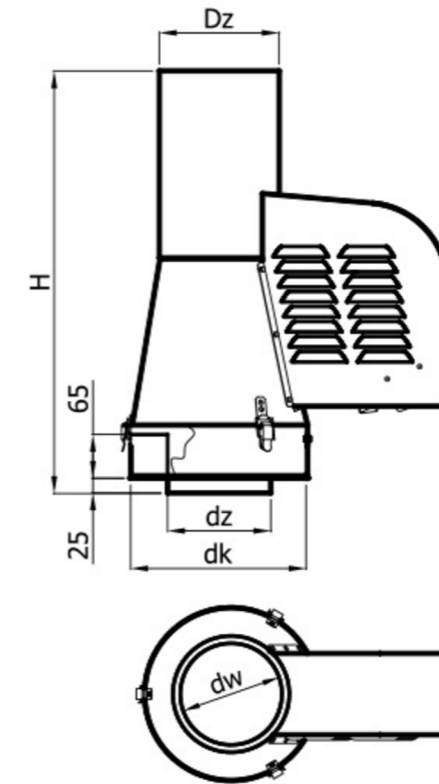
| Code             | Description   |
|------------------|---|
| KITDRGENCAP150BL | Darco Draught Generator + Cap Kit Consists of 3 Parts:<br>DADEGN150BL - Draught generator 150,<br>DACKF150BL- Cap for Chimney Fan 150,<br>DAMOSPCO - Motor Speed Controller |
| KITDRGENCAP200BL | Darco Draught Generator + Cap Kit Consists of 3 Parts:<br>DADEGN200BL - Draught generator 200,<br>DACKF200BL- Cap for Chimney Fan 200,<br>DAMOSPCO - Motor Speed Controller |

### Rotowent Dragon Chimney Cowls

Our range of Rotowent Dragon chimney cowls dynamically use the force of the wind to increase chimney draught and prevent downdraught. The cap always places itself in the opposite direction to the wind, no matter its strength or direction. They are available in a range of sizes and can be mounted on gravitation based chimney ducts, ventilation, flue and smoke. Please note that Dragon Cowls are only suitable for wood-burning stoves. This is not suitable for use with solid fuel or gas.

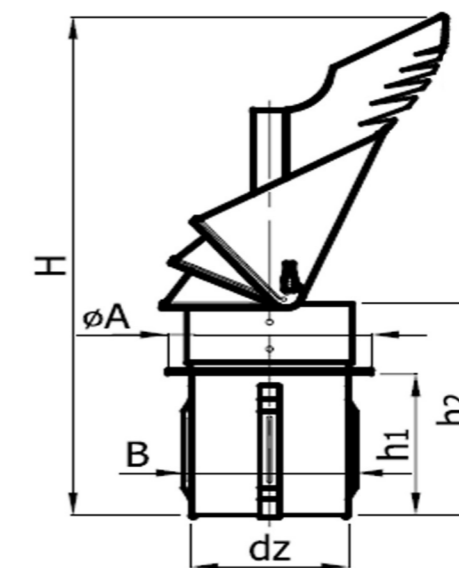
| Code Powder Black | Code Stainless Steel | Description                    |
|-------------------|----------------------|--------------------------------|
| DARDR125/150BL    | DARDR125/150         | Rotowent Dragon Cowl 125/150mm |
| DARODC150BL       | DARODC150            | Rotowent Dragon Cowl 150mm     |
| DARODC200BL       | DARODC200            | Rotowent Dragon Cowl 200mm     |

### Darco Draught Generator



| Generator Size | Dimensions (mm) |     |       |     |     |
|----------------|-----------------|-----|-------|-----|-----|
|                | H               | Dz  | dk    | dz  | dw  |
| 150            | 607             | 173 | 253.3 | 149 | 147 |
| 200            | 686             | 230 | 303   | 199 | 197 |

### Rotowent Dragon Chimney Cowls



|     | mm  |     |     |     |     |            |        |
|-----|-----|-----|-----|-----|-----|------------|--------|
|     | H   | H1  | H2  | DZ  | B   | A (diamete | Weight |
| 150 | 555 | 157 | 235 | 144 | 158 | 202        | 2.25   |
| 200 | 680 | 167 | 245 | 194 | 208 | 252        | 2.9    |

## AIR SUPPLY / EXHAUST VALVES

Wall-mounted air intakes and outlets are an element of supply and exhaust in ventilation in industrial buildings. The air intake is the air supply. It is equipped with fixed blinds and a mesh to prevent the entry of impurities into the ventilation system. The launcher is an exhaust element. It has movable blinds that block the air from trying to get out of the building.

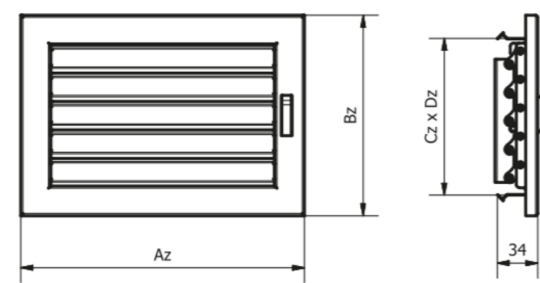
| Code            | Description  |
|-----------------|--|
| DAIRSUP100SQUBL | Air Supply/Exhaust Valve 100 Square Black ( Non Adjustable Air Vent) |
| DAIRSUP100BL    | Air Supply/Exhaust Valve 100 Black Circle                            |
| DAIRSUP100SQUWH | Air Supply/Exhaust Valve 100 Square White ( Non Adjustable Air Vent) |
| DAIRSUP100SQWH  | Air Supply/Exhaust Valve 100 Square White Adjustable Air Vent        |
| DAIRSUP100WH    | Air Supply/Exhaust Valve 100 White Round                             |
| DAIRSUP100SQBL  | Air Supply/Exhaust Valve 100 Square Blk Adjustable Air Vent          |

## Darco Ventilation grille

| Code     | Description                                    |
|----------|--|
| DAVENTBL | Ventilation grille with solid jalousie 190x170 |

### Dimensions/technical data:

| Face outer dimensions<br>AxB [mm] | Cross section<br>[cm <sup>2</sup> ] | Grille dimensions [mm] |     |     |     | Frame dimensions [mm] |     | Weight<br>[kg] |
|-----------------------------------|-------------------------------------|------------------------|-----|-----|-----|-----------------------|-----|----------------|
|                                   |                                     | Az                     | Bz  | Cz  | Dz  | Ez                    | Fz  |                |
| 200x145                           | 140                                 | 200                    | 145 | 107 | 118 | 178                   | 118 | 1.0            |
| 190x170                           | 165                                 | 190                    | 170 | 132 | 108 | 168                   | 143 | 1.0            |
| 240x170                           | 225                                 | 240                    | 170 | 132 | 158 | 218                   | 143 | 1.2            |
| 220x220                           | 285                                 | 220                    | 220 | 182 | 132 | 198                   | 193 | 1.3            |
| 325x170                           | 325                                 | 325                    | 170 | 132 | 243 | 303                   | 143 | 1.4            |
| 325x195                           | 395                                 | 325                    | 195 | 157 | 243 | 303                   | 168 | 1.6            |
| 450x170                           | 475                                 | 450                    | 170 | 132 | 368 | 428                   | 143 | 1.8            |
| 450x220                           | 674                                 | 450                    | 220 | 182 | 368 | 428                   | 193 | 2.1            |
| 450x240                           | 754                                 | 450                    | 240 | 202 | 368 | 428                   | 213 | 2.2            |



### V GRILLE WITH MOVEABLE JALOUSIE



**KRVZ AxB - ML.a**

- color (B- white, CZ- black)
- material
- outer dimensions
- V grille with moveable jalousie

## RECTANGULAR AIR SUPPLY / EXHAUST FLAP VALVE

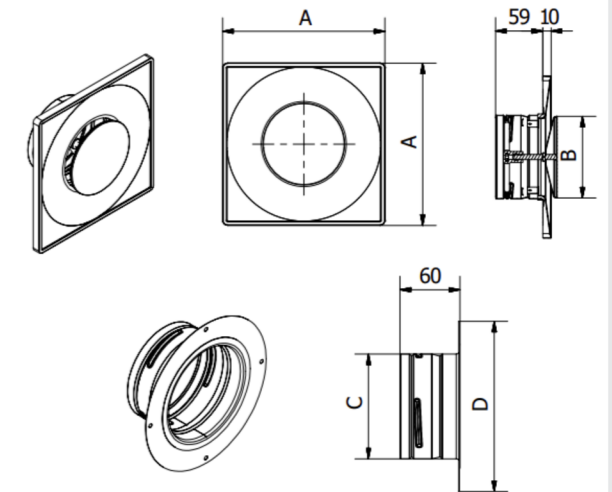


### ASKV x - ML.a

- color (B- white, CZ- black)
- powder coated
- „spiro“ diameter
- rectangular air supply / exhaust flap valve

### Dimensions/technical data:

| „spiro“ diameter<br>[mm] | Dimensions [mm] |     |       |     | Weight<br>[kg] |
|--------------------------|-----------------|-----|-------|-----|----------------|
|                          | A               | B   | C     | D   |                |
| 80                       | 150             | 76  | 78,5  | 140 | 0,5            |
| 100                      | 190             | 96  | 98,5  | 160 | 0,5            |
| 125                      | 215             | 121 | 123,5 | 185 | 0,6            |
| 150                      | 240             | 146 | 148,5 | 210 | 0,7            |
| 160                      | 240             | 146 | 158,5 | 210 | 0,8            |
| 200                      | 290             | 196 | 198,0 | 260 | 1,2            |



## ROUND AIR SUPPLY / EXHAUST FLAP VALVE

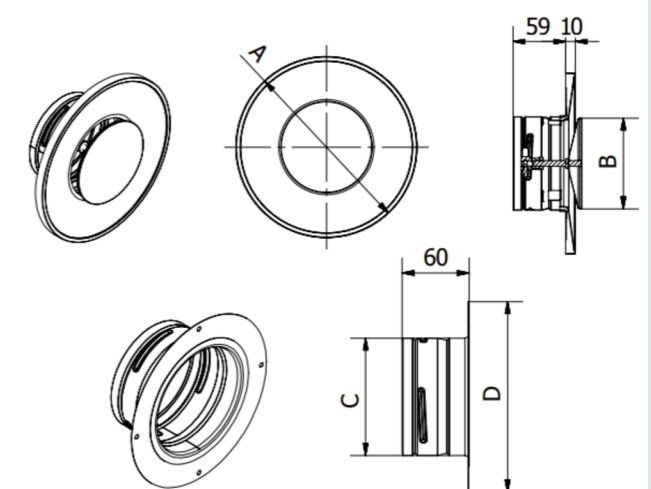


### ASV x - ML.a

- color (B- white, CZ- black)
- powder coated
- „spiro“ diameter
- round air supply / exhaust flap valve

### Dimensions/technical data:

| „spiro“ diameter<br>[mm] | Dimensions [mm] |     |       |     | Weight<br>[kg] |
|--------------------------|-----------------|-----|-------|-----|----------------|
|                          | A               | B   | C     | D   |                |
| 80                       | 150             | 76  | 78,5  | 140 | 0,5            |
| 100                      | 190             | 96  | 98,5  | 160 | 0,5            |
| 125                      | 215             | 121 | 123,5 | 185 | 0,6            |
| 150                      | 240             | 146 | 148,5 | 210 | 0,7            |
| 160                      | 240             | 146 | 158,5 | 210 | 0,8            |
| 200                      | 290             | 196 | 198,0 | 260 | 1,1            |





Offset Chimney Liner Adapter & Chimney Liner Adapter



5 to 6inch Pipe Increaser



90 Enamel Flue Bend with Door



90inch Enamel Flue bend

## SINGLE WALL FLUE PIPE, BENDS AND MORE

### 3" FLUE BLACK FINISH

| Code      | Description  |
|-----------|--|
| SFP31000P | 3"x1000mm Enamel Flue Pipe Plain Black Joint Seal included   |
| SFP3500P  | 3"x500mm Enamel Flue Pipe Plain Black Joint Seal included    |
| SFP3330P  | 3"x 330mm Enamel Flue Pipe Plain Black Joint Seal included   |
| SFP3-4VI  | 3" - 4" Pipe Increaser Matt Black                            |
| SFP3-5VI  | 3" - 5" Pipe Increaser Matt Black                            |
| SFP3-6VI  | 3" - 6" Pipe Increaser Matt Black                            |
| SFP3DWP45 | 3" 45 Decorative Wall Plate                                  |
| SFP3PL    | 3" Enamel Plug For T Piece Black                             |
| SFB330P   | 3" 30 Enamel Flue Bend Plain Black Joint Seal Included       |
| SFB345P   | 3" 45 Enamel Flue Bend Plain Black Joint Seal Included       |
| SFB390P   | 3" 90 Degree Enamel Flue Bend Plain Black                    |
| SFT390    | 3" 90 Dge Enamel Flue Tee No Plug Included                   |
| SFAWB3    | 3" Wall Band Matt Black T/S Pellet Stoves                    |
| SFAWBR3   | 3" Adjustable Wall Bracket Matt Black T/S Pellet Stoves      |
| SFWBR3    | 3" Wall Bracket Matt Black 100mm From Wall For Pellet Stoves |
| SFPR80-80 | Adaptateur Email 80mm - 80mm Pellet Stove Adaptor            |

### 4" FLUE BLACK FINISH

| Code      | Description                               |
|-----------|---|
| SFP41000D | 4"x1000mm Enamel Flue C/w Door Black      |
| SFP41000P | 4"x1000mm Enamel Flue Pipe Plain Black    |
| SFP4500P  | 4"x500mm Enamel Flue Pipe Plain Black     |
| SFP4250P  | 4"x250mm Enamel Flue Pipe Plain Black     |
| SFP4VI    | 4" - 5" Pipe Increaser Matt Black         |
| SFB445P   | 4" 45 Enamel Flue Bend Plain Black        |
| SFB490D   | 4" 90 Enamel Flue Bend with Door Black    |
| SFB490P   | 4" 90 Enamel Flue Bend Plain Black        |
| SFT490    | 4" 90 Dge Enamel Flue Tee (includes plug) |

### 5" FLUE BLACK FINISH

| Code      | Description                               |
|-----------|---|
| SFP51000D | 5"x1000m Enamel Flue C/w Door-black       |
| SFP51000P | 5"x1000mm Enamel Flue Pipe Plain-black    |
| SFP5500D  | 5" x 500 mm Enamel Flue C/w Door - black  |
| SFP5500P  | 5" 500mm Enamel Flue Pipe Plain-black     |
| SFP5500A  | 5" x 500 mm Enamel Adjustable Flue & Ring |
| SFP5250P  | 5" x 250 mm Enamel Flue Pipe Plain Black  |
| SFP5VI    | 5" - 6" Pipe Increaser Matt Black         |
| SFB530P   | 5" 30 Enamel Flue Bend Plain-black        |
| SFB545P   | 5" 45 Enamel Flue Bend Plain-black        |
| SFB590D   | 5" 90 Enamel Flue Bend C/w Door-black     |
| SFB590P   | 5" 90 Enamel Flue Bend Plain-black        |
| SFT590    | 5" Damper Only to Suit TEN Flue Pipe      |
| SFD5DAM   | 5" 90 Dge Enamel Flue Tee (includes plug) |
| SFREMB5   | 5" Rosette Enamelled Matte Black          |



45 Degree Flue Bend



90 Degree Enamel Flue Tee with Cap



250mm Flue Damper



5inch 110mm Offset 500mm Length



0-90 Degree Bend

### 6" FLUE BLACK FINISH

| Code      | Description                               |
|-----------|---|
| SFP61000D | 6"x1000mm Enamel Flue C/w Door-black      |
| SFP61000P | 6"x1000mm Enamel Flue Pipe Plain-black    |
| SFP6500D  | 6"x500mm Enamel Flue C/w Door-black       |
| SFP6500P  | 6"x500mm Enamel Flue Pipe Plain-black     |
| SFP6500A  | 6" x 500 mm Enamel Adjustable Flue & Ring |
| SFP6250P  | 6"x250mm Enamel Flue Pipe Plain-black     |
| SFB645P   | 6" 45 Enamel Flue Bend Plain-black        |
| SFB690D   | 6" 90 Enamel Flue Bend C/w Door-black     |
| SFB690P   | 6" 90 Enamel Flue Bend Plain-black        |
| SFT690    | 6" - 7" Pipe Increaser Matt Black         |
| SFP7VI    | 6" 90 Dge Enamel Flue Tee (includes plug) |
| SFREMB6   | 6" Rosette Enamelled Matte Black          |

### 7" FLUE BLACK FINISH

| Code     | Description                           |
|----------|---------------------------------------|
| SFP7500P | 7"x500mm Enamel Flue Pipe Plain-black |

### CLAY LINER ADAPTERS

| Code    | Description                          |
|---------|--------------------------------------|
| CHA4-8  | 4"-8" Chimney Liner Adapter Straight |
| CHA5-6  | 5"-6" Clay Liner Adapter             |
| CHA5-8  | 5"-8" Chimney Liner Adapter Straight |
| CHA6-8  | 6"-8" Chimney Liner Adapter Straight |
| CHAO5-8 | 5"-8" Offset Chimney Liner Adapter   |
| CHAO6-8 | 5"-8" Offset Chimney Liner Adapter   |

### SUMP ADAPTERS

| Code  | Description             |
|-------|-------------------------|
| SUMP5 | 5" Chimney Sump Adaptor |
| SUMP6 | 6" Chimney Sump Adaptor |

### OFFSET PIPE

| Code    | Description                       |
|---------|-----------------------------------|
| SFB5110 | 5"110mm Offset x2 45 Degree Bends |

### 0-90

With its 4x fully articulated sections, you can create and bend from 0 degrees to 90 degrees and anywhere in between. This piece also makes a pair of 45 angles providing a useful offset.

| Code     | Description                 |
|----------|-----------------------------|
| SFB5A090 | 5" Adjustable Bend 0' - 90' |
| SFB6A090 | 6" Adjustable Bend 0' - 90' |

### VITRELUX

| Code     | Description                     |
|----------|---------------------------------|
| VV545BND | V-Tec Vitreous 125MM X 135 BEND |

### ELECTRIC FIRE FLUE

| Code     | Description                         |
|----------|-------------------------------------|
| TWPBEFPK | V-TECH Electric Stove Flue Pipe Kit |

## FLEXI FLUE KITS

| Code          | Description  | Code          | Description   |
|---------------|--|---------------|---|
| KIT5F6M316    | 5" Flexi Kit 6 meters 316 - Consists of: Terracotta Junior Birdguard, 6m 316 Flexi, Adapter 5"         | KIT56F9M316   | 6" Flexi Kit 9 meters 316 - Consists of: Terracotta Junior Birdguard, 9m 316 Flexi, 5" Vit. to 6" Flex      |
| KIT5F9M316    | 5" Flexi Kit 9 meters 316. Consists of Terracotta Junior Birdguard, 9m 316 Flexi, Adapter 5"           | KIT56F6M316TC | 6" Flexi Kit 6 meters 316 - Consists of: Terracotta Pot Hanger Terracotta, 6m 316 Flexi, 5" Vit. to 6" Flex |
| KIT5F6M316BL  | 5" Flexi Kit 6 meters 316 - Consists of: Black Terminal Pot Hanger, 6m 316 Flexi, Adapter 5"           | KIT56F9M316TC | 6" Flexi Kit 9 meters 316 - Consists of: Terracotta Pot Hanger Terracotta, 9m 316 Flexi, 5" Vit. to 6" Flex |
| KIT5F9M316BL  | 5" Flexi Kit 6 meters 316 - Consists of: Black Terminal Pot Hanger, 9m 316 Flexi, Adapter 5"           | KIT6F6M316    | 6" Flexi Kit 6 meters 316. Consists of: Terracotta Junior Birdguard 6m 316 Flexi, Adapter 6"                |
| KIT5F6M316TC  | 5" Flexi Kit 6 meters 316 - Consists of: Terracotta Terminal Pot Hanger, 6m 316 Flexi, Adapter 5"      | KIT6F6M316    | 6" Flexi Kit 9 meters 316. Consists of: Terracotta Junior Birdguard 9m 316 Flexi, Adapter 6"                |
| KIT5F9M316TC  | 5" Flexi Kit 6 meters 316 - Consists of: Terracotta Terminal Pot Hanger, 9m 316 Flexi, Adapter 5"      | KIT6F6M316BL  | 6" Flexi Kit 6 meters 316. Consists of: Black Terminal Pot Hanger, 9m 316 Flexi, Adapter 6"                 |
| KIT56F6M316   | 6" Flexi Kit 6 meters 316 - Consists of: Terracotta Junior Birdguard, 6m 316 Flexi, 5" Vit. to 6" Flex | KIT6F9M316BL  | 6" Flexi Kit 9 meters 316. Consists of: Black Terminal Pot Hanger, 9m 316 Flexi, Adapter 6"                 |
| KIT56F9M316BL | 6" Flexi Kit 9 meters 316 - Consists of: Black Pot Hanger, 9m 316 Flexi, 5" Vit. to 6" Flex            | KIT6F6M316TC  | 6" Flexi Kit 6meters 316. Consists of: Terracotta Pot Hanger, 9m 316 Flexi, Adapter 6"                      |
| KIT56F6M316BL | 6" Flexi Kit 9 meters 316 - Consists of: Black Pot Hanger, 6m 316 Flexi, 5" Vit. to 6" Flex            | KIT6F9M316TC  | 6" Flexi Kit 9 meters 316. Consists of: Terracotta Pot Hanger, 9m 316 Flexi, Adapter 6"                     |



Junior Bird Guard



Black Pot Hanging Chimney Cowl



Flexi Liner



5" to 6" Flexi Flue Adapter



Mid-cap For Disused Chimney

## FLEXI ADAPTERS

| Code      | Description                               |
|-----------|---|
| SFXA3R-3F | Flue Adapter 3" Vit to 3" Flex            |
| SFXA5R-5F | Flue Adapter 5" Vit to 5" Flex            |
| CHAI5-6   | 5"-6" Increasing Chimney Adapter For Flex |
| SFXA6R-6F | Flue Adapter 6" Vit to 6" Flex            |

## FLEXI PIPE

| Code    | Description  |
|---------|--|
| SFXA36M | 3" 316 Flexible Flue Liner 6m Pack Flexi for Pellet Stoves |
| SFXA39M | 3" 316 Flexible Flue Liner 9m Pack Flexi for Pellet Stoves |
| SFXA56M | 5" 316 Flexible Flue Liner 6m Pack                         |
| SFXA59M | 5" 316 Flexible Flue Liner 9m Pack                         |
| SFXA66M | 6" 316 Flexible Flue Liner 6m Pack                         |
| SFXA69M | 6" 316 Flexible Flue Liner 9m Pack                         |
| SFXB59M | 5" 904 Flexible Flue Liner 6m Pack                         |
| SFXB56M | 5" 904 Flexible Flue Liner 9m Pack                         |
| SFXB66M | 6" 904 Flexible Flue Liner 6m Pack                         |
| SFXB69M | 6" 904 Flexible Flue Liner 9m Pack                         |

## CHIMNEY COWLS

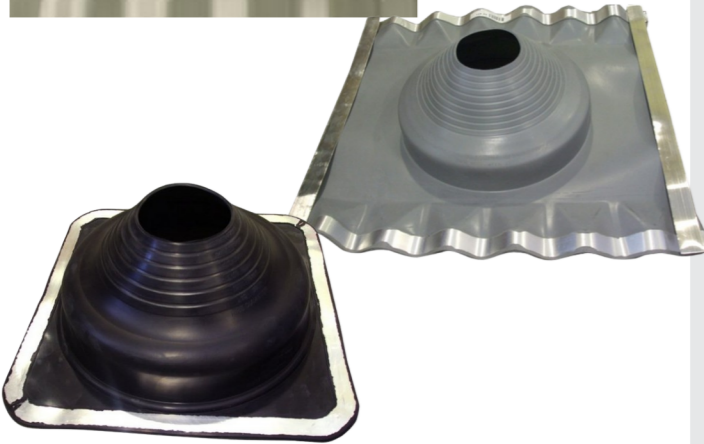
| Code      | Description                          |
|-----------|--------------------------------------|
| CHTPOT5   | 5" Terminal Pothanger Terracotta     |
| CHTPOT5BL | 5" Terminal Pothanger Black          |
| CHTHCBG   | High Top Junior Birdguard Terracotta |
| CHTPOT6L  | 6" Terminal Pothanger Terracotta     |
| CHTPOT6BL | 6" Terminal Pothanger Black          |
| CHTHCBGBL | High Top Junior Birdguard Black      |

## REGISTER PLATES

| Code    | Description                          |
|---------|--------------------------------------|
| SPGSRP5 | 5 inch Galvanised Register Plate Kit |
| SPGSRP6 | 6 inch Galvanised Register Plate Kit |
| SPGSRPB | Blank Galvanised Register Plate Kit  |

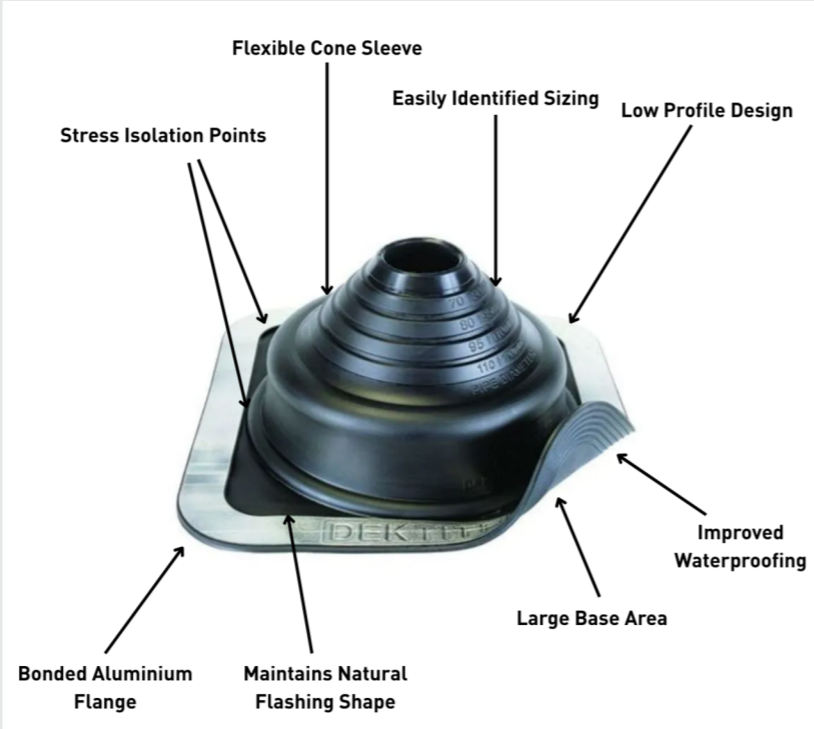
## CAP FOR DISUSED CHIMNEYS

| Code    | Description                                       |
|---------|---|
| CTMCAPT | Mid-cap For Disused Chimney Inc J/clip Terracotta |



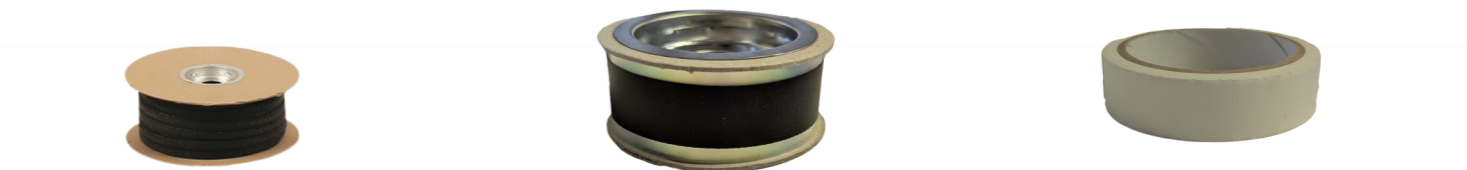
## Dektite® & Seldek® Roof Flashings

| Code        | Description  |
|-------------|--|
| FLDP125-230 | Dektite Premium Roof Flashing 125-230mm<br>Suitable for 0 - 45 Degree Roof Pitch |
| DFE209RE    | Dektite Premium #9 Red Silicone Flashing   |
| FLDD114-254 | Dektite Diverter Roof Flashing 114-254mm   |
| FLDC125-230 | Dektite Combo Flashing 125mm-200mm   |



| Code       | Description  |
|------------|--|
| FLA110-200 | Seldek Aluminium Roof Flashing 110-200mm (Tile / Slate Roof) |
| FLA160-300 | Seldek Aluminium Roof Flashing 160-300mm (Tile / Slate Roof) |
| FLA110-200 | Seldek Nu-Lead Roof Flashing 50-170mm                        |
| FLA160-300 | Seldek Nu-Lead Roof Flashing 175-330mm                       |

## All Rope Available in Black



20mm Loose Bound Rope    12mm Loose Bound Rope    10mm Tight Bound Rope    8mm Tight Bound Rope    6mm Tight Bound Rope

10mm Black Sticky Back Fibre Rope    End of Rope Sealing Tape 25mm 10m Black    End of Rope Sealing Tape 25mm 10m White



Vitcas CFC Chimney & Flue Cleaner    Vitcas Glass Cleaner    Uni Black 2 Granite Colour Enhancer    Matte Black Spray Paint 400ml Single Can





Vitcas Fire Cement Cartridge 310ml Black



Vitcas Heat Resistant Silicone 310ml Black



Vitcas White Rope Seal Adhesive 30ml



Vitcas Fire Cement 2kg Black



Vitcas Premium Black Fire Cement 1Kg Tub



Vitcas Premium Fire Cement Black 500g



Marble Glue and 45ml Hardener



Tenax Hardener for Marble Glue 45ml



Mazona Heat Resistant Gauntlet Glove Black



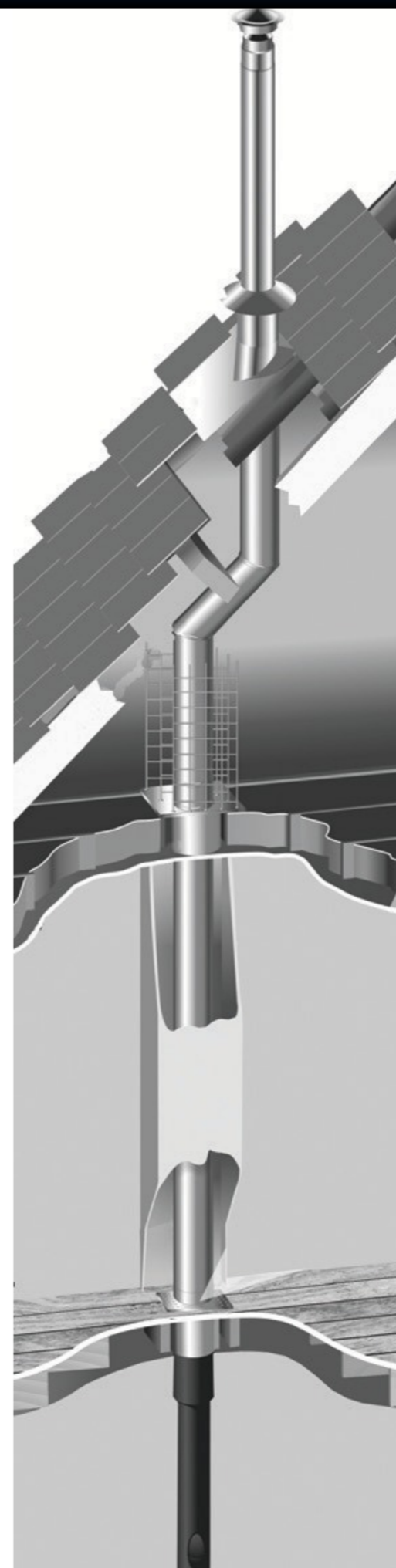
Mazona Stoves Heat Resistant Glove Pair Black



Carbon Monoxide Alarm



Mazona Stovepipe Thermometer



All installations must conform to building regulations (England & Wales Document J / Scotland Part F / Northern Ireland Part L / Ireland Document J). For installations outside of the UK, you must check and conform to the relevant building regulations and national standards in that country. All national building regulations and standards, along with any local regulations and working practices must be adhered to.

This brochure provides only basic guidance. All installations should be installed by a competent person and approved by your local building officer. Always follow your local building regulations and other specific requirements and guidelines covering electrical, gas, solid fuel and multi-fuel appliances. When completing the installation and building works, you should comply with your responsibilities under the Health and Safety at Work acts and any new regulations that may have been introduced during the lifetime of this brochure.

Particular attention should be drawn to:

- Handling - The flue system may be heavy. Adequate facilities must be available for loading, unloading and handling.
- Asbestos - This flue system contains no asbestos. If there is a possibility of disturbing any asbestos in the course of installation, please seek specialist guidance and use appropriate equipment.
- Metal Parts - Take care when installing or servicing the flue to avoid personal injury.
- Access - Ensure suitable and safe access is available when working at height and on the roof areas.

**A FAULTY INSTALLATION CAN CAUSE DANGER TO THE INHABITANTS AND STRUCTURE OF THE BUILDING**



As part of our continual development programme Micon Distribution Limited reserve the right to withdraw, change or substitute products and/or materials in this brochure without prior notice.

FIND US ON:

